

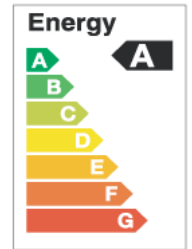
LED UFO High Bay Series D



JAMES

Industrial Supply Products

Model # EV-U200W D2DZ 5000K (D Series UFO High Bay)



Description

Replace inefficient metal halide fixtures with this James UFO LED high bay light. With minimal power consumption, it emits a wide beam of bright, glare-free illumination through a shatterproof glass lens. Construction consists of weatherproof aluminum alloy housing with an integral LED cooling heat sink. Pair with an optional microwave motion sensor and customize settings with a handheld remote control for maximum energy savings.

Technical Data				
Brand	EV-U100W D1DZ	EV-U150W D2DZ	EV-U200W D2DZ	EV-U240W D3DZ
Maximum Light Output	17200 lm	26100 lm	32500 lm	42720 lm
Wattage	100 W	150 W	200 W	240 W
CRI	80	80	80	80
Total Harmonic Distortion	10% ± 3%	10% ± 3%	10% ± 3%	10% ± 3%
Lumen Efficiency	172 lm/W	174 lm/W	162.5 lm/W	177 lm/W
Input Voltage	AC 100 ~ 277V (Standard) / AC 277-480V (Available*)			
Frequency	50/60 Hz			
Dimming Status	Continuous Below 10			
Control	Has Integral Control			
Rated Life	50,000+ Hours			
Power Factor	0.95 ± 0.03			
Housing	Aluminum & PC			

LED UFO High Bay Series D



Industrial Supply Products

Model # EV-U200W D2DZ 5000K (D Series UFO High Bay)

Dimensions

100W Model	150W/200w Model	240W Model
<p>Ø288[11.34]</p>	<p>Ø345[13.58]</p>	<p>Ø279 [11.0] Ø400 [15.73]</p>
<p>154[6.06]</p>	<p>161[6.34]</p>	<p>202 [7.94] 400 [15.73]</p>

Accessories



LED Fixture 100 -277V 50/60Hz Input



Reflector Shield (Optional)



Chain (1.05m) (Optional)

LED UFO High Bay Series D

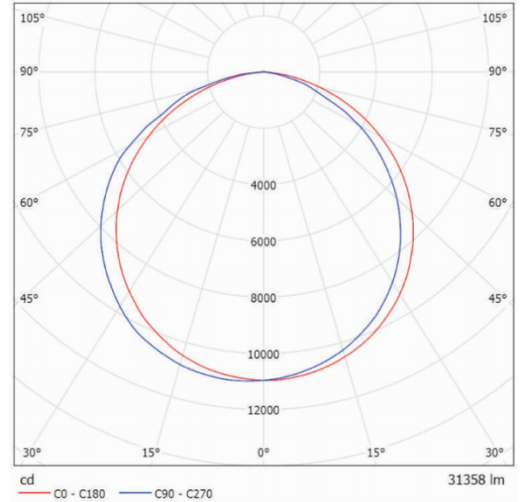


Industrial Supply Products

Model # EV-U200W D2DZ 5000K (D Series UFO High Bay)

Photometric Data (200W Model)

Distance (Height)	Center Beam fc	Beam Width
17.0 ft	19.94 fc	40.8 ft
34.0 ft	4.98 fc	81.7 ft
51.0 ft	2.22 fc	122.5 ft
68.0 ft	1.25 fc	163.4 ft
85.0 ft	0.80 fc	204.2 ft
102.0 ft	0.55 fc	245.1 ft

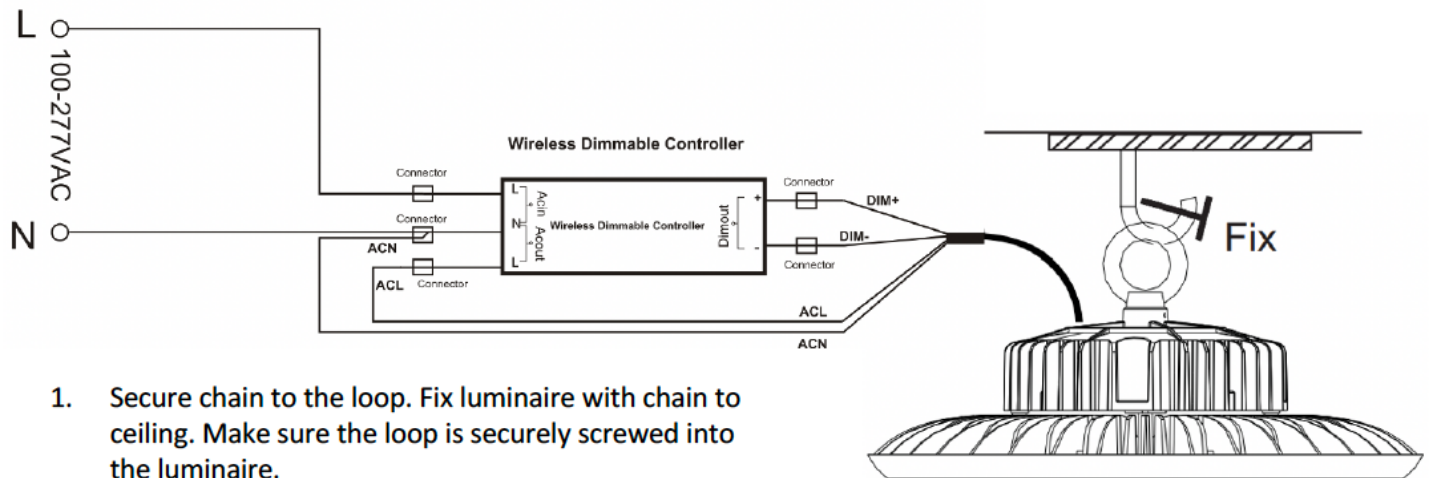


Wiring Instruction

Wiring Instruction:

Turn off the power. Connect the black wire to L, white wire to N, and green wire to E.

Dimmer connection: (with dimmable driver). Compatible with 1-10V dimming. Connect purple wire to D+, gray wire is D-, cap black wire.



1. Secure chain to the loop. Fix luminaire with chain to ceiling. Make sure the loop is securely screwed into the luminaire.
2. Use the buckles to x the safety rope with the body and hook.
3. Connect the AC wires and/or dimming wires.

Installation Instruction

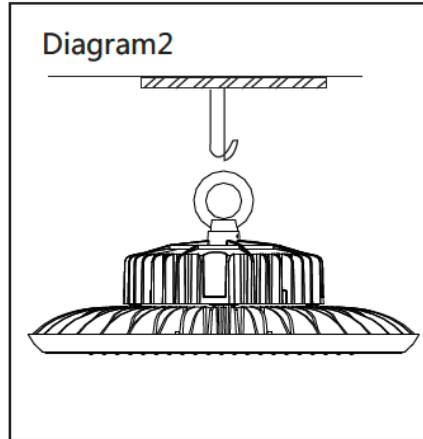
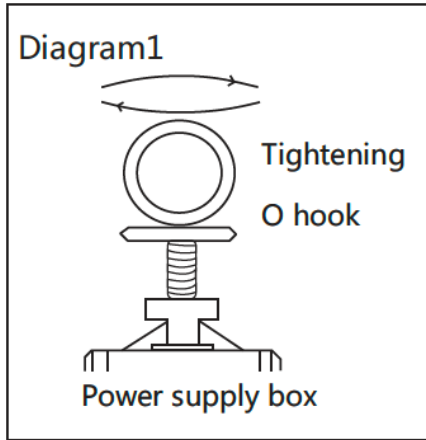
LED UFO High Bay Series D



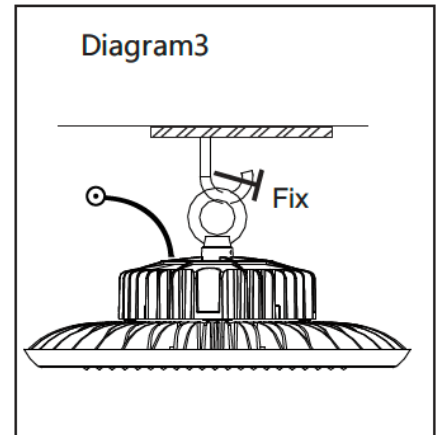
JAMES

Industrial Supply Products

Model # EV-U200W D2DZ 5000K (D Series UFO High Bay)



Ensure the fixed wall strong enough can bear 30kg



Turn on the power and test

Note:

1. Any form of installation/uninstallation or maintenance and electrical work must only be performed by a qualified electrician.
2. All wiring should be done after cutting off the power.
3. The UFO high bay light must be grounded.
4. Always keep the lens/diffuser of UFO high bay light cleaned to maintain good light transmission.
5. Always keep the shell of UFO high bay cleaned to maintain good heat dissipation.
6. Cleaning must only be done with dry or wet cloth and the high
7. High voltage inside the fixture, please do not disassemble it. Serious electric shock may occur otherwise.

Warranty

The manufacturer Torshare Ltd warrants this product to be free from defects in workmanship and materials, under normal residential use and conditions, for a period of five (5) year for the original invoice date. Shipping and handling fees are to be paid for by the customer. The manufacturer agrees, at its option during the warranty period, to repair and defect in material or workmanship or to furnish a repaired or refurbished product of equal value in exchange without charge (except for a fee for shipping, handling, packing, return postage, and insurance which will be incurred by the customer). Such repair or replacement is subject to verification of the defect or malfunction and proof of purchase as confirmed by showing the model number on original dated sales receipt.

