

LED Parking Lot Area Light

Model # SB-150W A2N50T3 (DLC Premium Shoebox Fixture)



JAMES

Industrial Supply Products

This LED shoebox area light is designed for 100-277V or 200-480V applications and shines brightly when reliability and performance are critical. The integrated LED parking lot light emits 21,000 lumens of cool white illumination. With a life expectancy that's 5 times as long as MH fixtures—the low-maintenance LED light reduces costly repairs and the need for replacements.

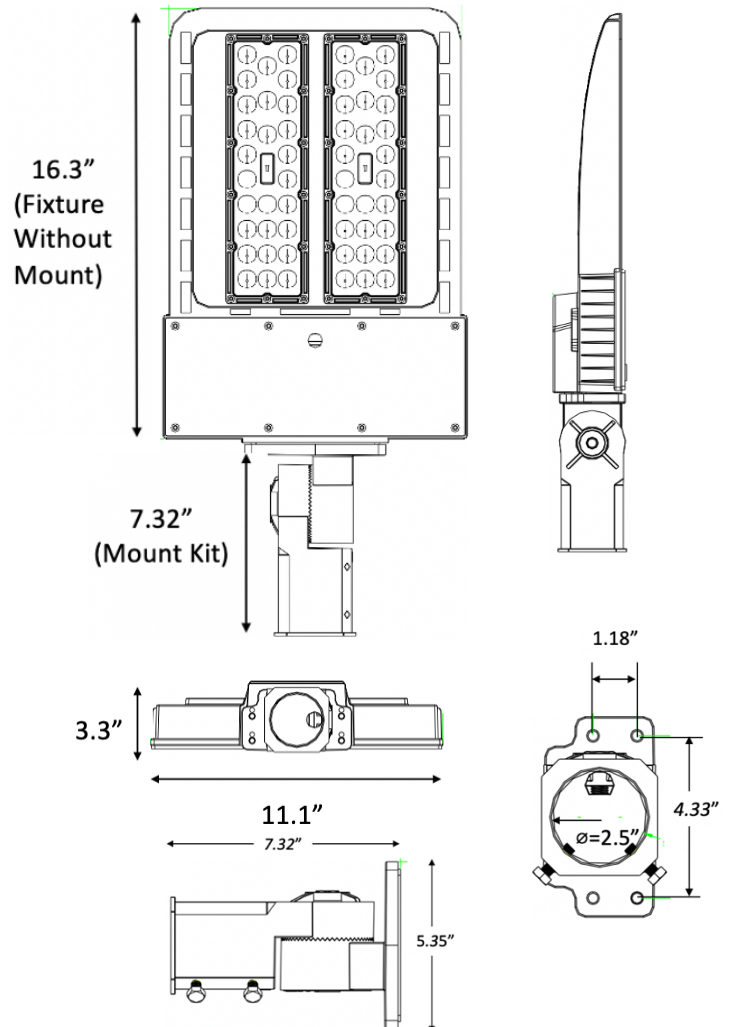
Slip-fit onto a round pole, or use it with one of several mounting options (sold separately) for walls, ceilings, and on the sides of round or square poles. It's constructed of a weatherproof die cast aluminum housing. This LED fixture is perfect for parking lots, roadways, car dealerships, campuses, parks, and as a replacement for street lights and vapor lamps.



Technical Data

Brand	JAMES
Light Output	21000 lm
Wattage	150 W
CRI	74
Total Harmonic Distortion	20%
Lumen Efficiency	140 lumens per Watt
Input Voltage	AC 100 ~ 277V
Frequency	50/60 Hz
Dimming Status	Non-dimmable
Rated Life	50,000+ Hours
Power Factor	0.9
CCT	5000K

Dimensions & Spec



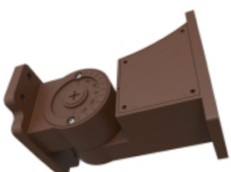
Mounting Kit Accessories



Twist Lock Photocell



(Optional) Shorting Cap



Adjustable Arm Mount



Slip Fitter Mount Kit

LED Parking Lot Area Light

Model # SB-150W A2N50T3 (DLC Premium Shoebox Fixture)

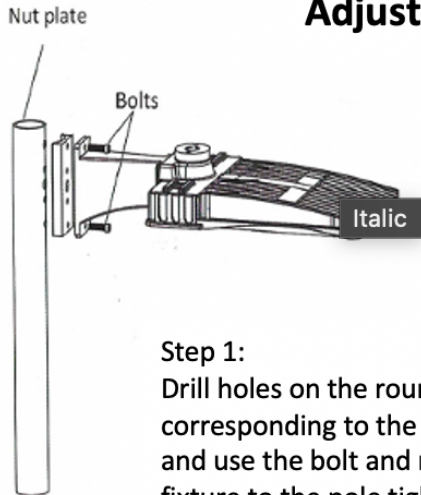


JAMES

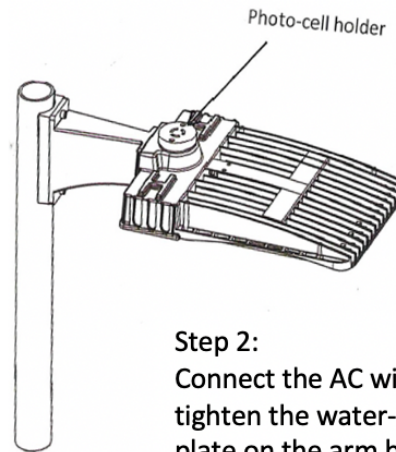
Industrial Supply Products

Installation

Adjustable Arm Mount

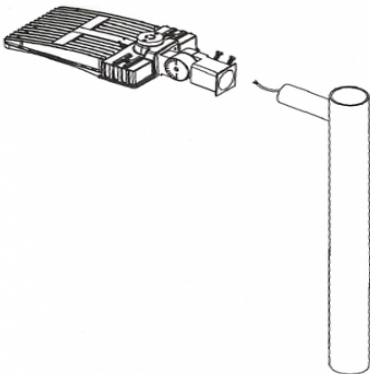


Step 1:
Drill holes on the round/square pole corresponding to the holes on the arm, and use the bolt and nut plate to fix the fixture to the pole tightly.

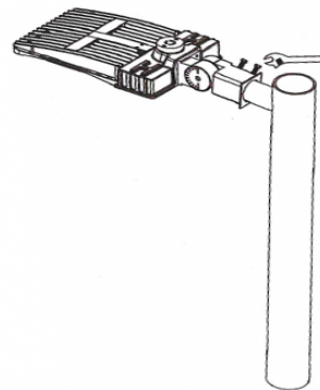


Step 2:
Connect the AC wire of the fixture and tighten the water-proof gasket and cover plate on the arm by screws, and then insert the photo-cell to the top of lamp.

Slip Fitter Mount



Step 1:
Connect the AC Wire, and then insert the arm of the slip fitter to the pole.



Step 2:
Tighten the screws on the side of the arm and install the photo-cell to top of lamp

Warranty

The manufacturer warrants this product to be free from defects in workmanship and materials, under normal residential use and conditions, for a period of five (5) year for the original invoice date. Shipping and handling fees are to be paid for by the customer. The manufacturer agrees, at its option during the warranty period, to repair and defect in material or workmanship or to furnish a repaired or refurbished product of equal value in exchange without charge (except for a fee for shipping, handling, packing, return postage, and insurance which will be incurred by the customer). Such repair or replacement is subject to verification of the defect or malfunction and proof of purchase as confirmed by showing the model number on original dated sales receipt.