

# LED Slim Linear High Bay Light



# JAMES

Industrial Supply Products

Model # James HX-XXXW XDZ 4000K/5000K (Premium)



## Description

James LED Slim High Bay is the perfect solution for commercial lighting needs in public infrastructures, warehouses, gyms, manufacturing space and large retail spaces. With an enclosed power supply and covered optics, these light fixtures are designed for durability in commercial and industrial applications. Rated as DLC premium products, they are designed to save energy and lower maintenance costs. The LED light engine inside the fixture uses 30% less power to produce the same amount of light as a fluorescent fixture. James commercial light fixtures are built with LED chips that last for 50,000 hours of continuous use.

## Technical Data

Brand	H2-100W XDZ	H5-160W XDZ	H6-220W XDZ	H6-320W XDZ
Light Output	13000 lm	20150 lm	29480 lm	42780 lm
Wattage	100 W	155 W	220 W	310 W
CRI	81	81	81	81
Total Harmonic Distortion	20%	20%	20%	20%
Lumen Efficiency	130 lm/W	130 lm/W	134 lm/W	138 lm/W
Input Voltage	AC 100 ~ 480V			
Frequency	50/60 Hz			
Dimming Status	Continuous Below 10			
Rated Life	50,000+ Hours			
Power Factor	0.9			

## Warranty

The manufacturer warrants this product to be free from defects in workmanship and materials, under normal residential use and conditions, for a period of five (5) year for the original invoice date. Shipping and handling fees are to be paid for by the customer. The manufacturer agrees, at its option during the warranty period, to repair and defect in material or workmanship or to furnish a repaired or refurbished product of equal value in exchange without charge (except for a fee for shipping, handling, packing, return postage, and insurance which will be incurred by the customer). Such repair or replacement is subject to verification of the defect or malfunction and proof of purchase as confirmed by showing the model number on original dated sales receipt.

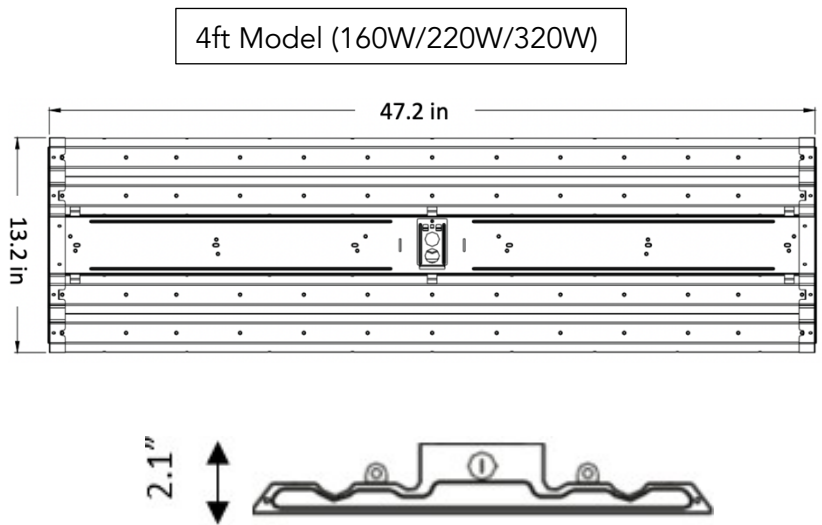
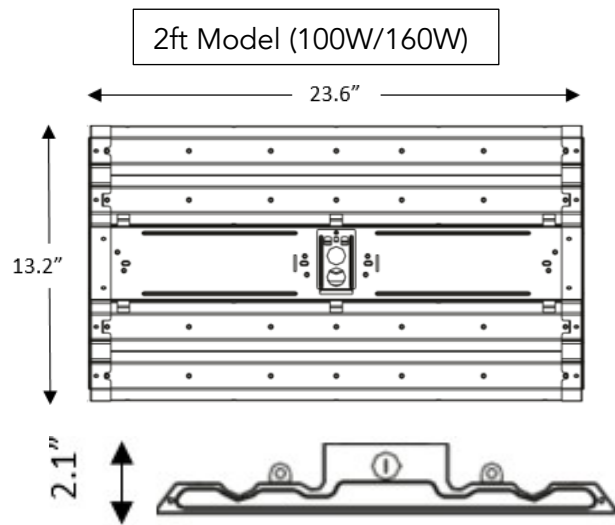
# LED Slim Linear High Bay Light



# JAMES

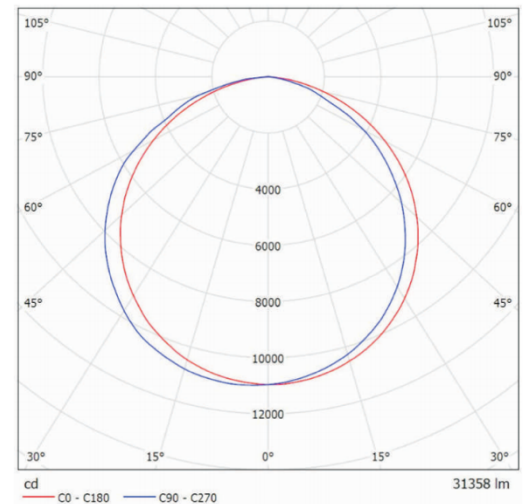
Industrial Supply Products

Model # James HX-XXXW XDZ 4000K/5000K (Premium)



## Photometric Data (H3-225W)

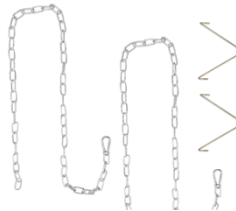
Distance (Height)	Center Beam fc	Beam Width (Vert/Horizontal)
17.0 ft	19.94 fc	40.8 ft / 40.2ft
34.0 ft	4.98 fc	81.7 ft / 40.2ft
51.0 ft	2.22 fc	122.5 ft / 120.5ft
68.0 ft	1.25 fc	163.4 ft / 160.6ft
85.0 ft	0.80 fc	204.2 ft / 200.8ft
102.ft	0.55 fc	245.1 ft / 240.9ft



## Accessories



LED Fixture 100 -  
277V 50/60Hz Input



Fixture-Mounted  
PIR Occupancy  
Sensor (Optional)



Wire Protection  
Guard (Optional)



Fixture-Mounted  
PIR Occupancy  
Sensor (Optional)